

209008-02CF

A **L3516** **x30**

B **8x30 mm.** **x16**

C **ø16 mm.** **x8**

D **x8**

E **7x60 mm.** **x8**

L4530 **4.5x30 mm.** **x6**

M11 **3.5x16 mm.** **x4**

P **x6**

R **x12**

R1 **x4**

T20 **ø20 mm.** **x8**

H2T **x4**

C0 **x4**

L15 **4x15 mm.** **x8**

209008-08CC

CL **x1**

CR **x1**

DR **x1**

DL **x1**

209493-07GUI

C1 **531010-01SCFS** **x4**

D1 **ø12 mm.** **x4**

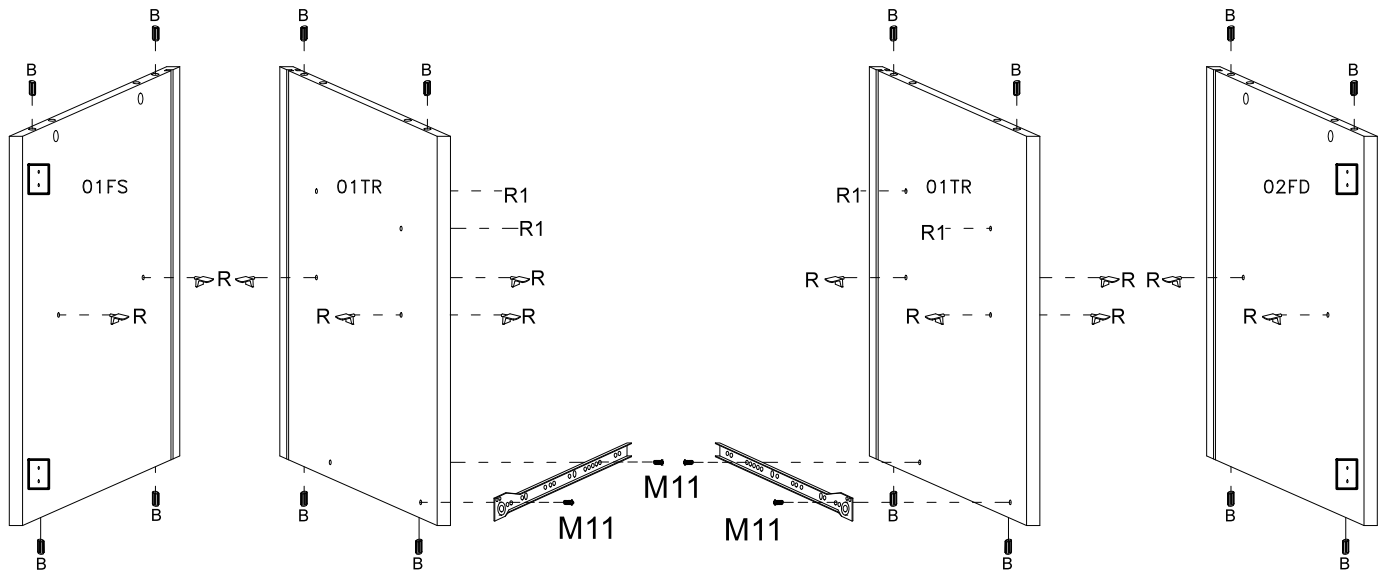
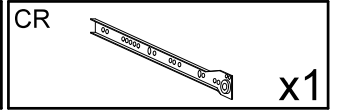
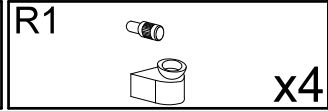
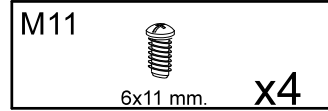
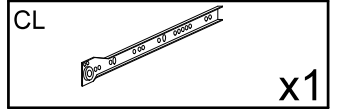
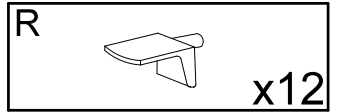
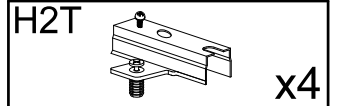
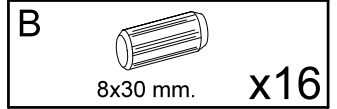
F21 **205124-06PIE** **x6**

ø 60 mm
h 20 mm

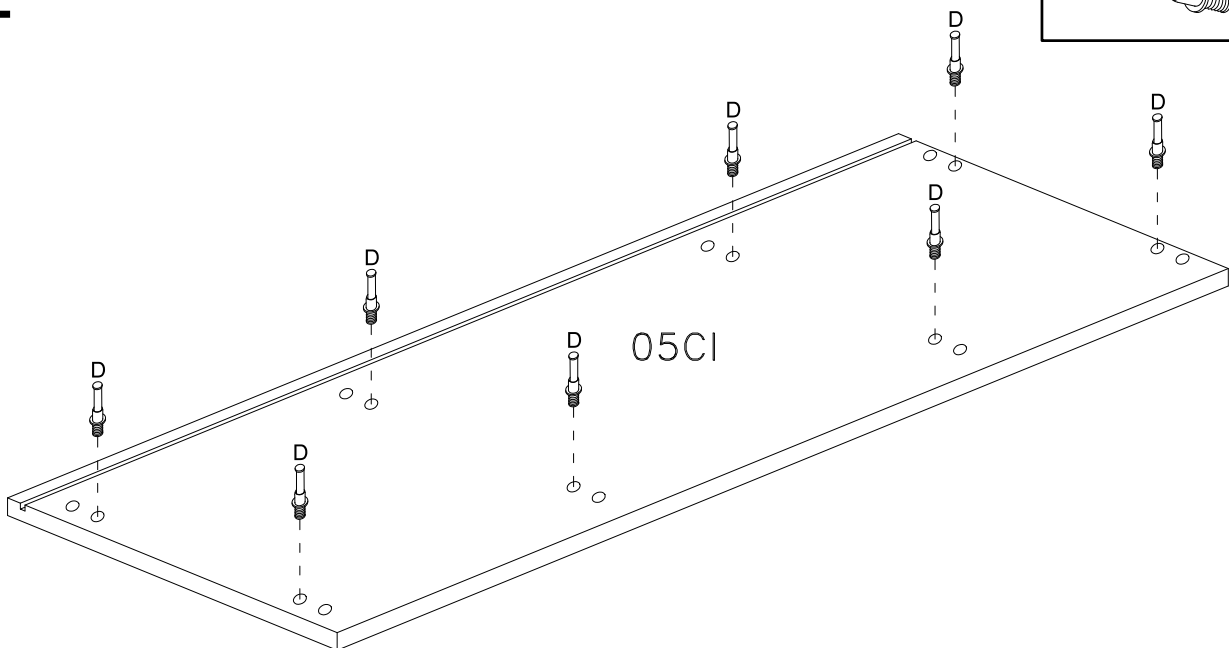
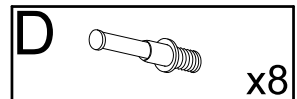


1

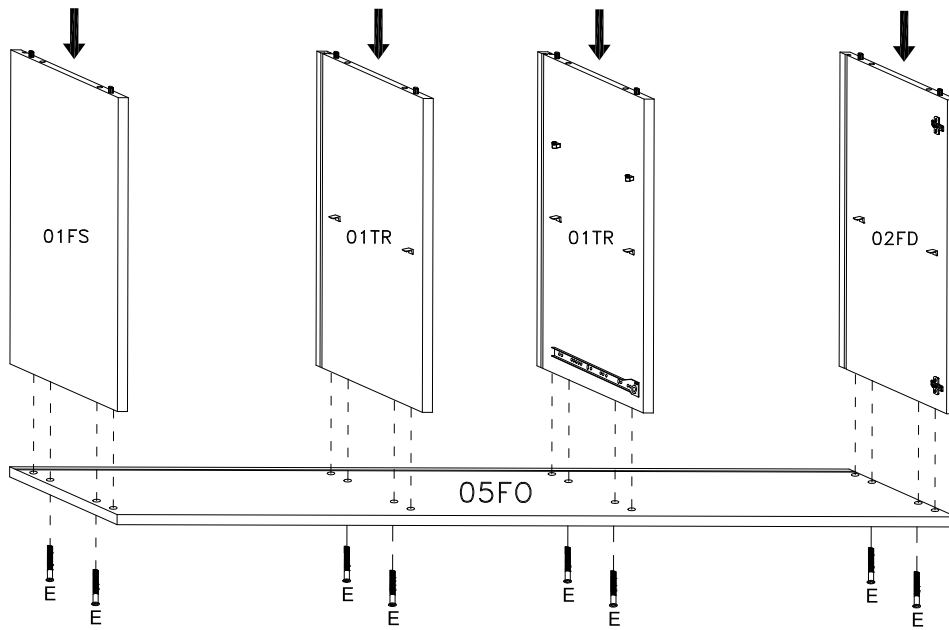
H2T






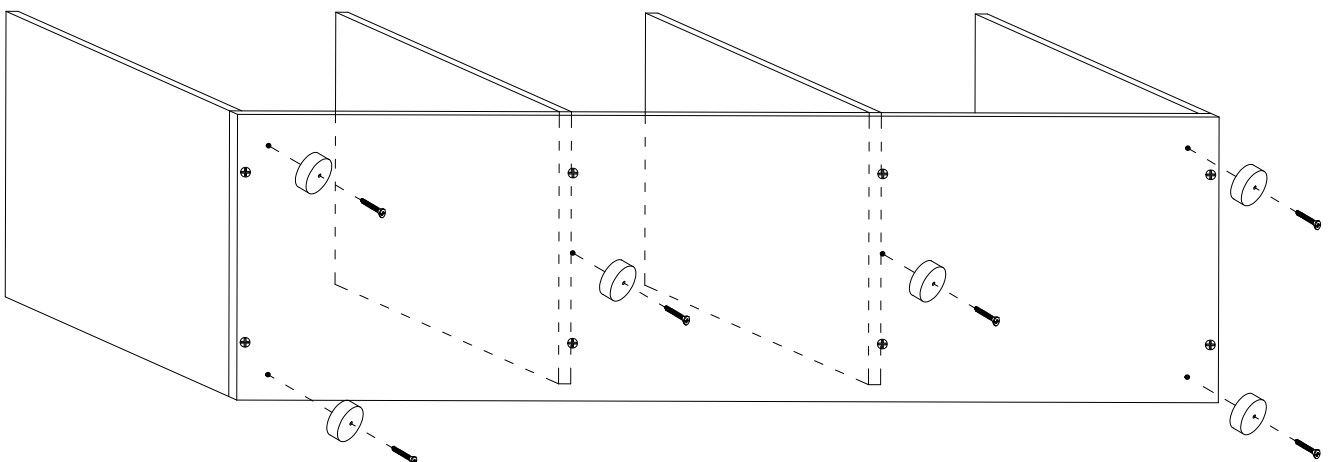
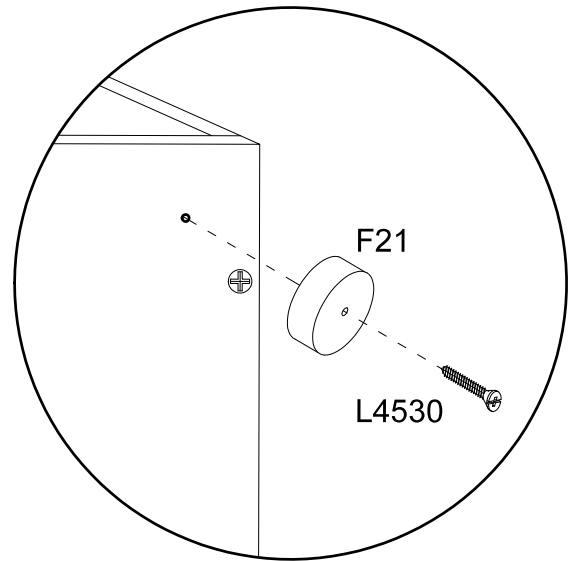
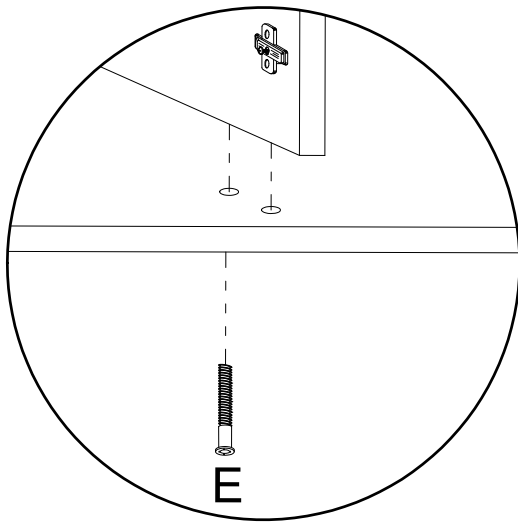
2



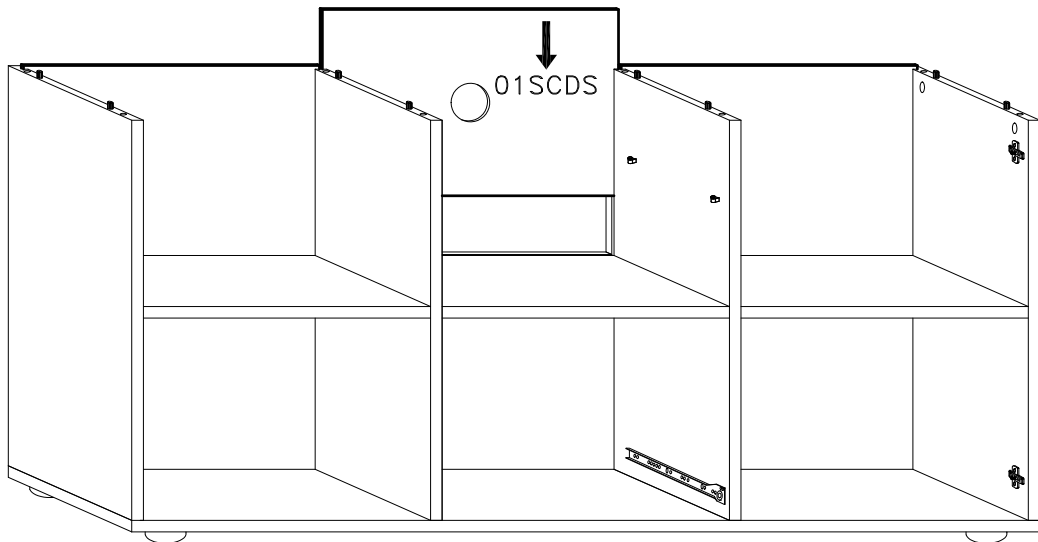
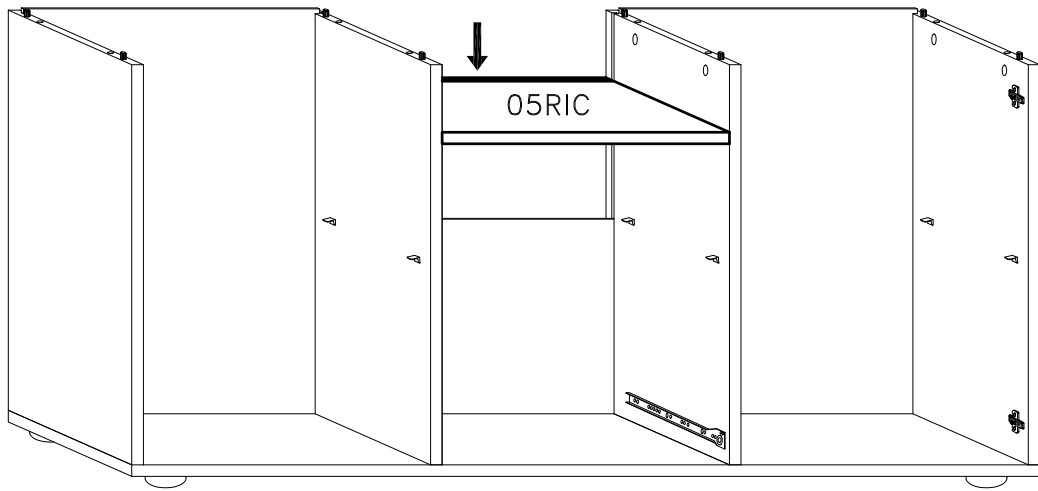
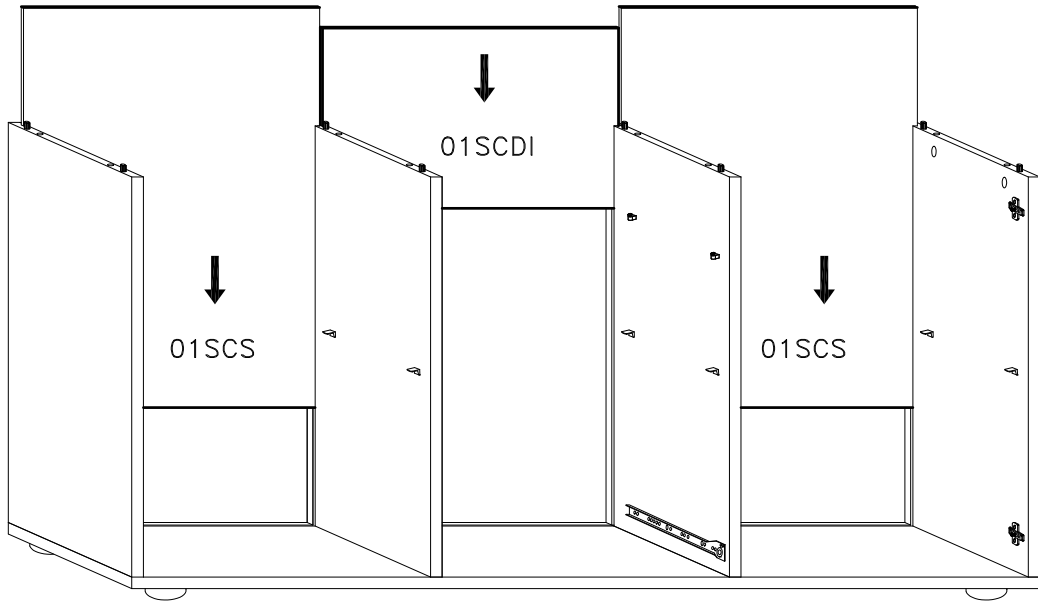
3



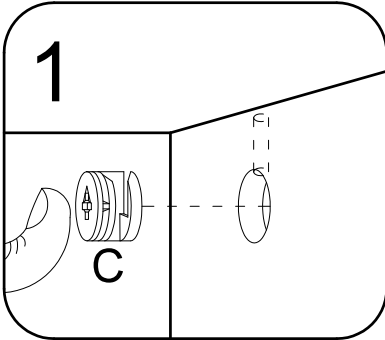
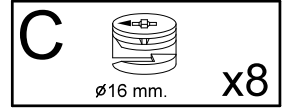
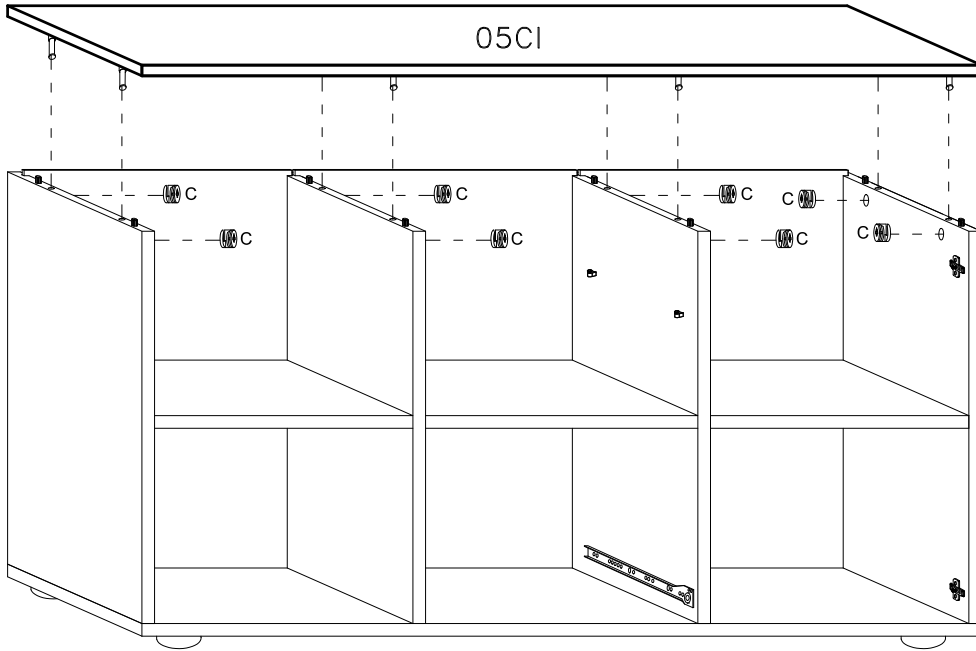
E	 7x60 mm.	x8
L4530	 4.5x30 mm.	x6
F21	 Ø 60 mm h 20 mm	x6



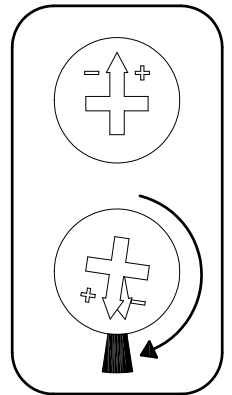
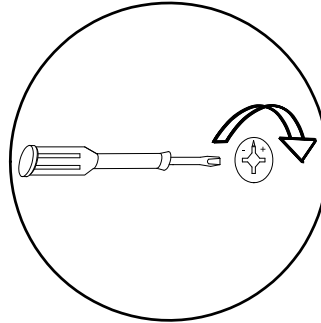
4



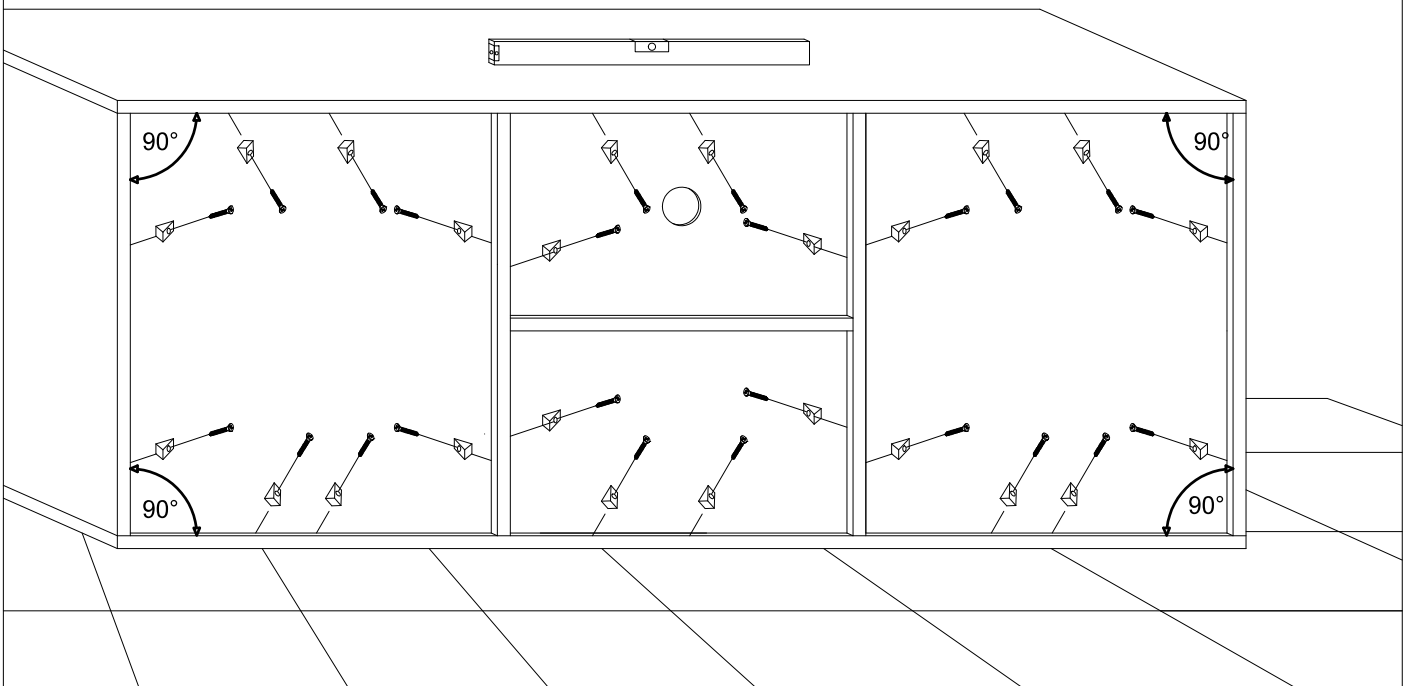
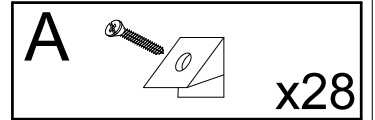
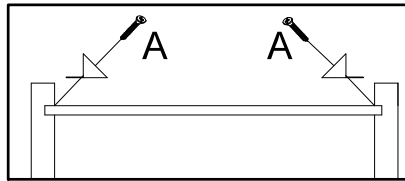
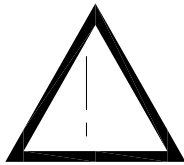
5



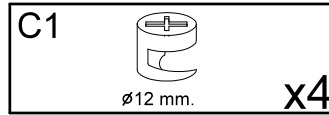
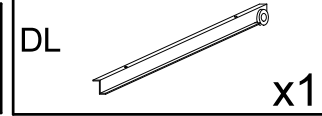
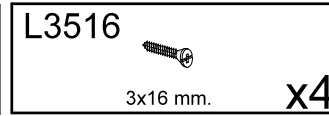
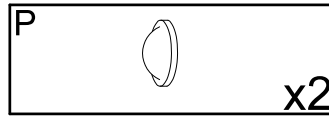
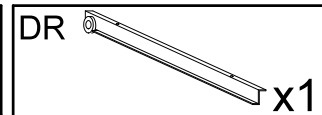
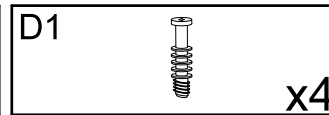
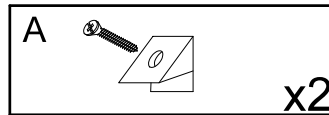
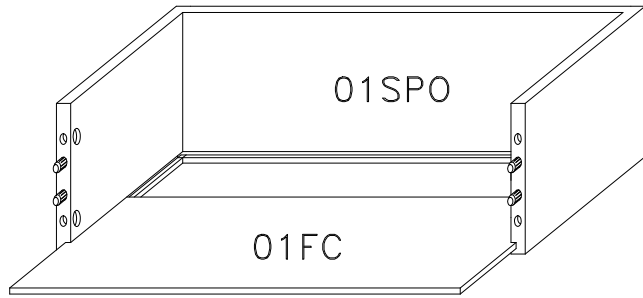
2



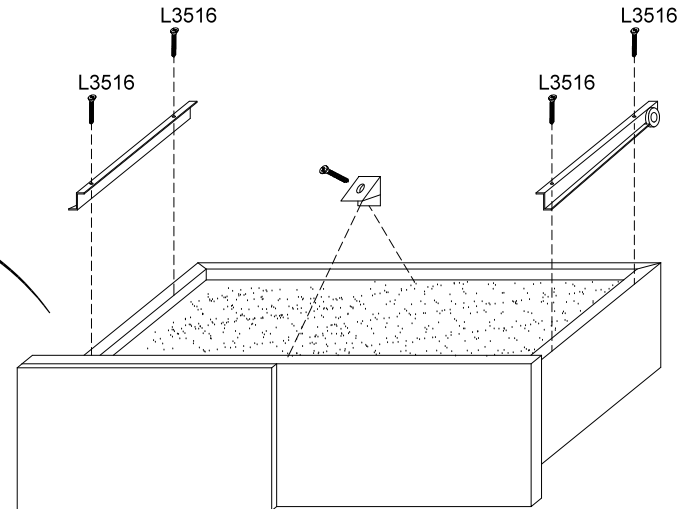
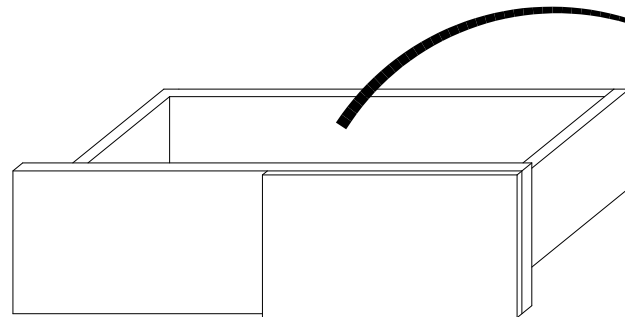
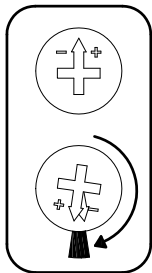
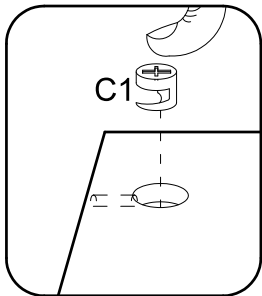
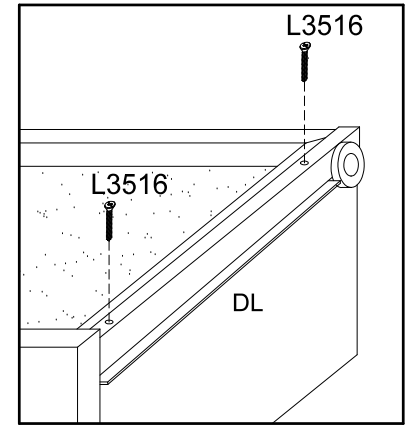
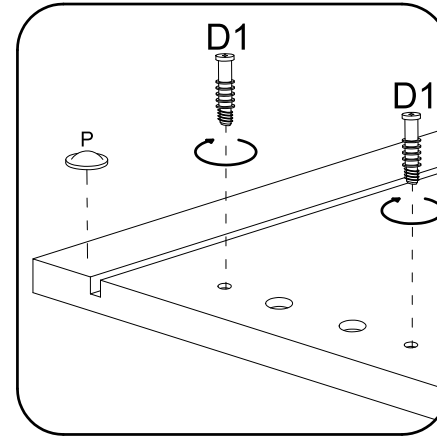
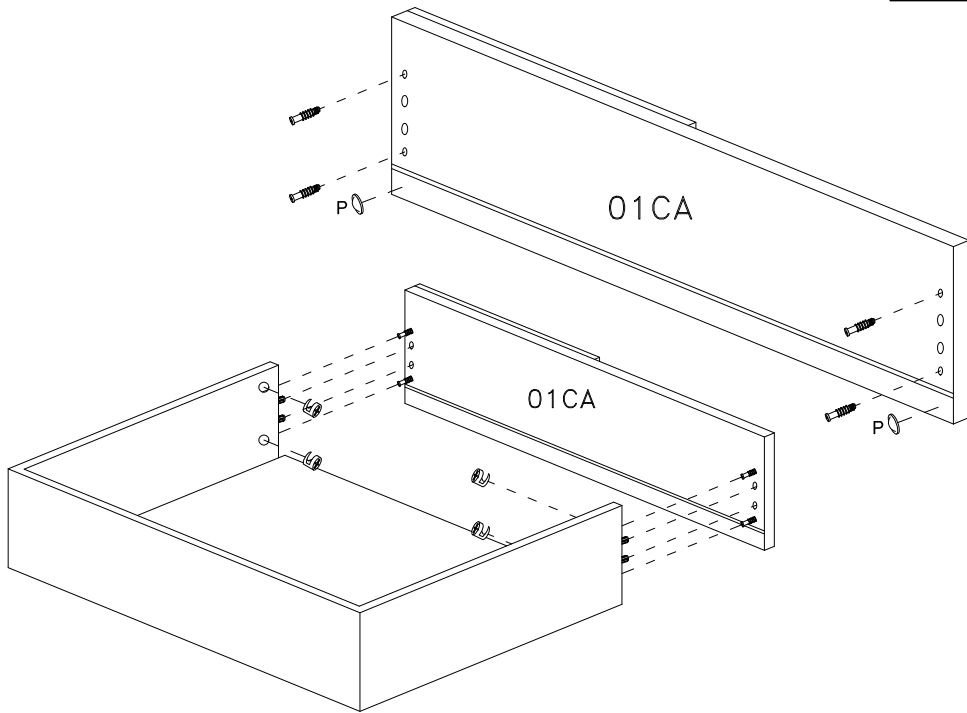
6



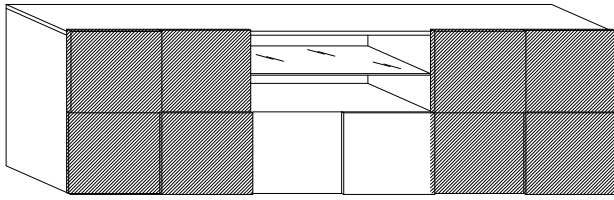
7






8 / 10



8



C0		x4
L15		x8
P		x2

